

# Low Voltage Switch Company - Low Voltage Electronic Components



## MDL2-E Series AC Contactor

### **About the Product:**

MDL2-E Series AC Contactor (hereinafter refers to the contactor) applies to AC 50Hz or 60Hz 690V working voltage 12A current circuit. It is used for remote accessing and breaking circuit as well as frequent starting and controlling the AC electrical motor. The contactor can install auxiliary contact group conveniently and protect the possible overload circuit if combined with suitable thermal relay.

The contactor adopts horizontally dynamic double-breakpoints, modular appendix and zero-arc design. It has strong combination capability, small volume and reliable performance.

It can replace LC1-K、LC1-E series imported products of French TE Company and function as the signal amplification and conversion in microelectronic interfaced circuit.

### **Working and Environment Conditions**

Surrounding air temperature: -5 ~ +40

The altitude of the installation site should below 2000m.

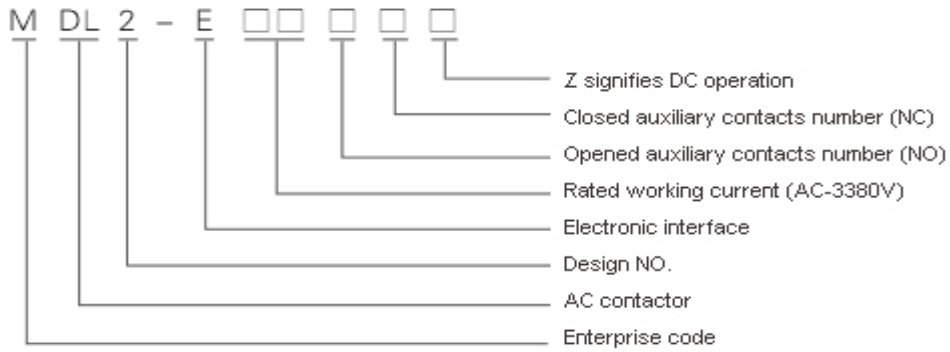
Atmospheric relative humidity should below 50% at the maximum temperature +40 °C. It can be a little higher at lower temperature. With the consideration of the dew caused by the change of the temperature.

Order Information The following information should be stated: the model and name of the contactor, the frequency and voltage of the control coil and the quantity.

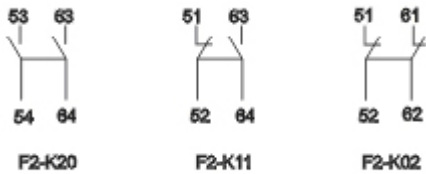
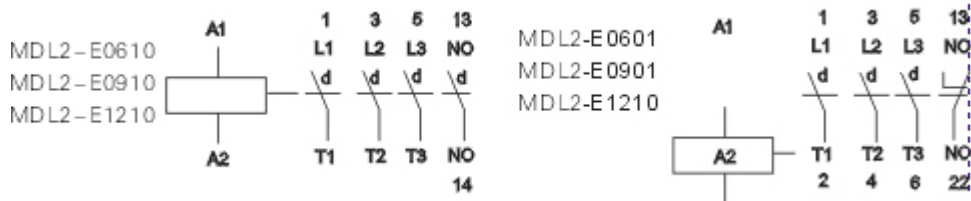
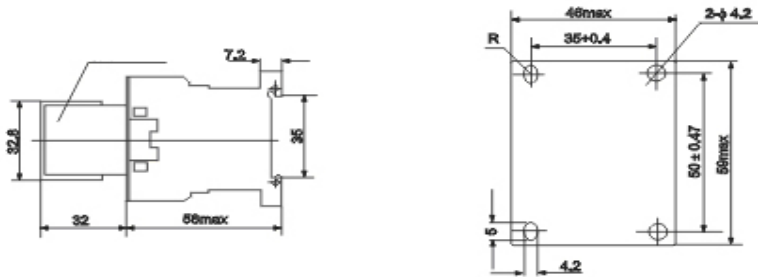
E.g.: 100 pieces of L2-E0610 AC contactor, coil voltage 220V, 50Hz;

100 pieces of MDL2-E0901AC contactor, coil voltage DC 220V

### **Model and Meaning**



### Contour and Installation Dimensions



auxiliary contact group specifications	number of the contact	
	normal opened( NO )	normal closed( NC )
F2-E20	2	0
F2-E11	1	1
F2-E02	0	2

screw connected		plug connected
non-cold voltage terminal	1*0.75m <sup>2</sup> ~ 2*2.5m <sup>2</sup>	can access to a TT1-2.5/63*0.8 type plug
cold voltage terminal	2*0.5m <sup>2</sup> ~ 1*2.5m <sup>2</sup>	