

Complete Set Company - Power Control System

>> High Voltage Power Box



KYN18A-12 Indoor AC Metal Armored Withdraw-type Switch Equipment

KYN18-12 Indoor AC Metal Armored Withdraw-type Switch Equipment (hereinafter refers to power box) is a mid-insert vacuum power box which mainly adopts ZN65A-12 vacuum circuit breaker as well as ZN12-10 vacuum circuit breaker and Siemens 3AF、3AH vacuum circuit breaker.

Introduction of the Product

About the Product

This product meets GB3906-91《3~35kV AC Metal Closed Switch Equipment》, DL404-91《Technical Conditions of Indoor AC Switch Ordering》, IEC298《AC Metal Closed Switch Equipment and Control Equipment》 and other standards. It applies to 3~10kV AC three-phase 50Hz single generatrix power system as the receiver and distributor of the power. It is widely used in various power plants, substation and industrial and mining enterprises. It can be installed on the wall (not recommended) and not.

Terms of Use

Surrounding air humidity

Altitude(m)	1000	2000	3000
Maximum Temperature()	40	35	30

Minimum: -10

Altitude :

Within 1000m (special order should within 3000m)

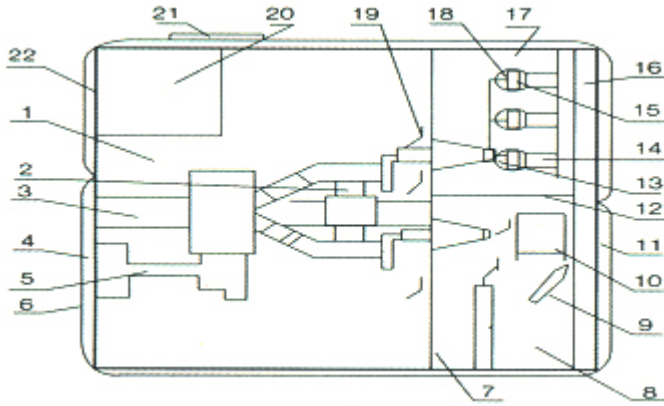
Humidity and Pollution

Daily relative value is less than 95%, monthly average is less than 90%.

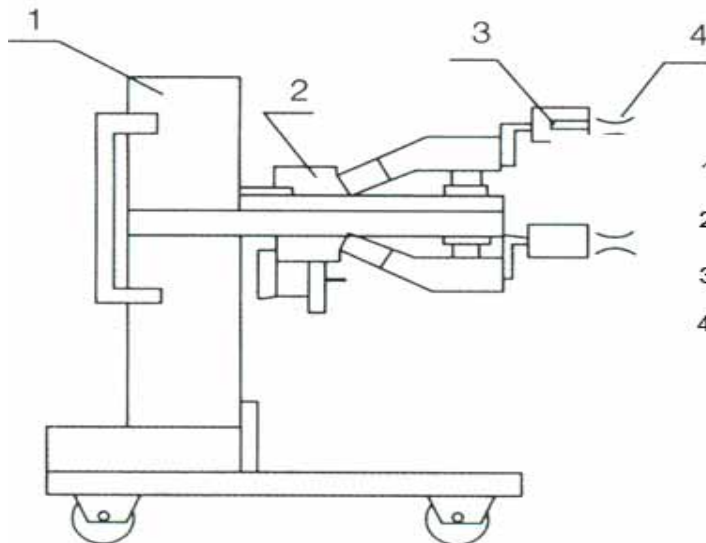
During high humidity period, if the temperature falls dramatically, dew is allowed. No conductive dust in the air. The power box can be operated under the first level condition prescribed in GB3906-91 appendix E.

About Structure

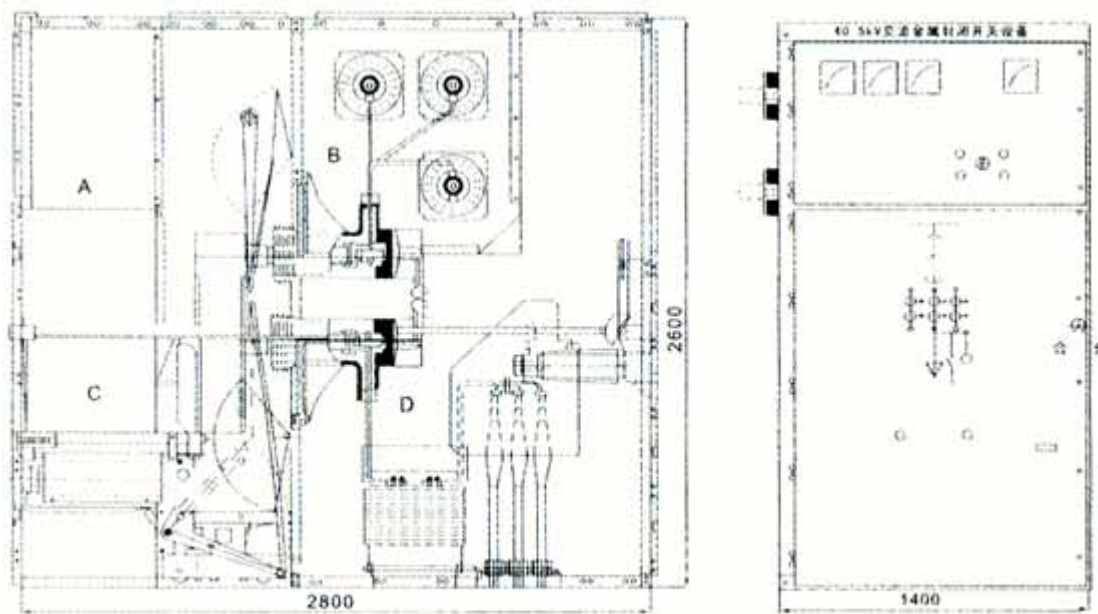
This power box is Armored Withdraw-type Metal Switch Equipment. It is composed by the cabinet body and movable part (handcart). The structure of the power box is as follows: (refer to picture1), movable components are on the delivery vehicle (refer to picture 2), the outlook of the cabinet body (refer to picture 3).



- | | |
|-----------------------------------|----------------------------------|
| 1 Circuit Breaker Room Door | 12 Middle Partition Board |
| 2 Vacuum Circuit Breaker Handcart | 13 Static Contact Block |
| 3 Guide Rail | 14 Insulator |
| 4 Front Door | 15 Main Generatrix |
| 5 Propeller | 16 Exhaust Channel of Cable Room |
| 6 Mechanical Interlock | 17 Generatrix Room |
| 7 Partition Board | 18 Main Generatrix Cover Tube |
| 8 Cable Room | 19 Valve |
| 9 Grounded Switch | 20 Relay Room |
| 10 Current Transformer | 21 Small Generatrix Room |
| 11 Backboard | 22 Relay Room Door |



- | |
|----------------------------|
| 1 Carrier |
| 2 Vacuum Circuit Breaker |
| 3 Insulated Cover Tube |
| 4 Isolated Dynamic Contact |



A Relay Meter Room C Circuit Breaker Room B Generatrix Room D Cable Room

- 1 Relay Room Door 7 Emergency Unlock Screw
- 2 Window (open the door)
- 3 Handcart Room Door 8 Energy-Stored Jack Handle
- 4 Lock Hole 9 Propel Handle and Interlock Keyhole
- 5 Lock Bolt 10 Small Generatrix Room
- 6 Grounded Gate Button 11 Main Generatrix

Technical Parameter

Rated voltage KV	3.6、 7.2、 12		
Rated short circuit current kA	31.5	40	50
rated current A	1250; 1600; 2000; 2500	1600; 2000; 3150	
4s Rated thermal stable current kA	31.5	40	50(3S)
Rated dynamic stable current kA	80	100	125
Rated voltage lightning impact tolerance KV	75		
Rated 1min voltage frequency tolerance KV	42		
Protection rank of the shell and isolation room	IP30		

Significant Performance:

State Xiaolangdi project, the Three Gorges Yichang Bridge Project, Beijing Changan Avenue project, the transportation of the west natural gas to the east project, Guangzhou Baiyun Airport project, the Xi'an Aircraft Manufacturing Company significant renovation project and more than 20 thermoelectric power plants have used this product.