

# Complete Set Company - Power Control System

## >> High Voltage Power Box



### XGN2-10 Box- type Fixed AC Metal Closed Switch Equipment

#### **About the Product:**

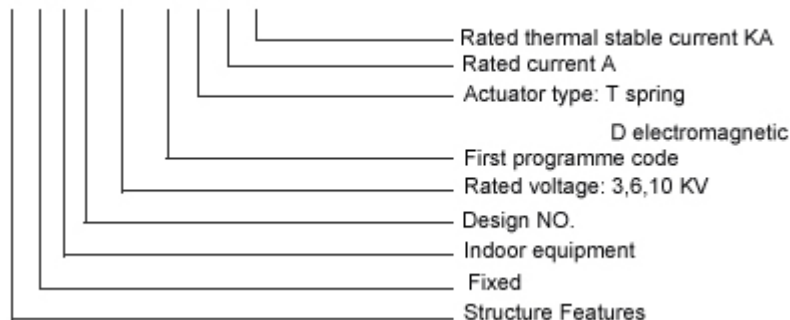
XGN2-10 Box-type Fixed AC Metal Closed Switch Equipment (refer to power box) is applied to 3、6、10KV three-phase AC 50Hz system as the power receiver and distributor of indoor power distribution equipments. It can control, protect and monitor the circuit. The generatrix system is composed of single generatrix and the generatrix besides the single generatrix belt. The double generatrix structure can be derived. This power box meets the international standard IEC298 and has a set of mechanical misuse-defense lock equipment, which has reliable performance, complete functions, simple structure and convenient operation.

The main switch of the power box adopts ZN28A-10 series vacuum circuit breaker. The vacuum circuit breaker can be applied to CD17 series electromagnetic actuator and CT19B spring actuator. The isolator switch adopts GN30-10 rotary isolator switch series products.

Box-type switch equipment

#### **Model Meaning**

XGN2-□/□□□□



This power box is of metal closed box structure. The cabinet body is welded by angle steel. Inside the cabinet, there are circuit breaker room, generatrix room,

cable room and relay room.

The circuit breaker room is located at the front part under the cabinet body. It has no pressure release channel.

The generatrix room is located at the back- upper part of the cabinet body. It is supported by the insulator and connected with the upper isolator switch.

The cable room is at the back below the cabinet rear. It supports the insulator and has no monitoring devices. The cable is fixed at the supporter.

Contact options: contact the cable room circuit breaker room and cable room. This power box is for double sides' maintenance and there are lightings in the circuit breaker room and the cable room.

Grounded copper generatrix is at the bottom of the front door which is parallel with the cabinet width direction and its section is 4x40.

### Technical Parameters

Rated voltage KV		3.6	7.2	12	
Rated current A		1000		1250-3000	
Rated open/break current KA(RMS)	12.5	20	25	31.5	40
Rated closing current KA (peak value)	31.5	50	63	80	100
Rated dynamic stable current KA (peak value)	31.5	50	63	80	100
Rated thermal stable current KA (RMS)	12.5	20	25	31.5	40
Thermal stable time			4		
Protection Rank			IP2X		
Generatrix spin	Single genetatrix		(large current)overhead single generatrix belt		
Actuator type	Electromagnetic ( CD17 )		Spring energy-save(CT8、CT17、 CT19B)		
Dimensions single generatrix cable access	1100 x 1200 x 2650		100(1200) x 1200 x 2650		
(width x depth x height)mm overhead access	1100 x 1520 x 2650		1100(1200) x 1520 x 2650		
Weight kg	About 1000		About 1300		

### Working and environmental conditions

Environmental temperature: maximum +40 , minimum -10 ;

Altitude below 1000m

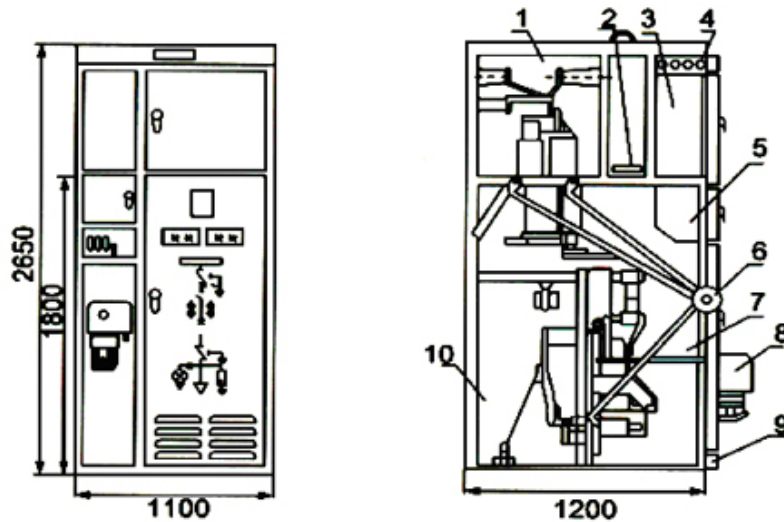
Relative humidity: daily average value less than 95%, monthly average value less than 90%;

Saturated vapor pressure: daily average value less than 2.2×10<sup>-3</sup>MPa; monthly average value less than 1.8×10<sup>-3</sup>MPa;

Intensity of earthquake: smaller than 8 degree

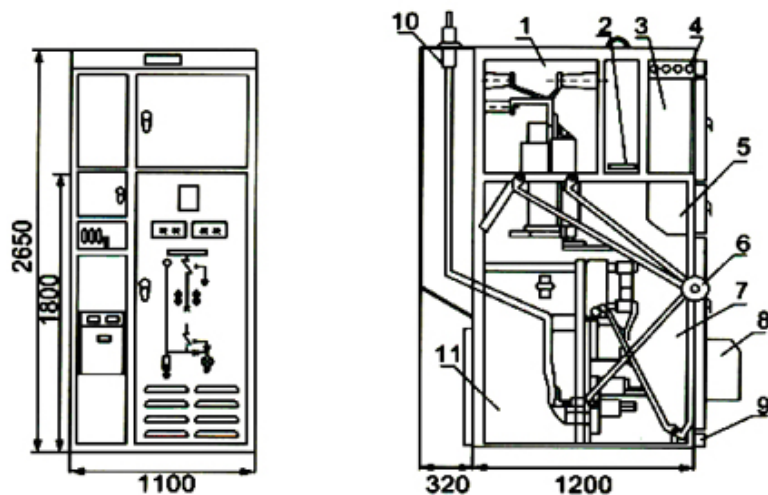
No fire, explosion hazard, seriously polluted, chemical corrosion and fierce vibration. If the above conditions are out of satisfaction, technical manners such as anti-damp & heat, anti-corrosion can be adopted to suit special environment.

**Product Contour:**



**Contour Sktech of XGN2-10/07D**

- |                                   |   |
|-----------------------------------|---|
| 1 Generatrix room                 | 6 Manual operations and interlock mechanism |
| 2 Pressure release channel        | 7 Main switch room                          |
| 3 Meter room                      | 8 Spring actuator                           |
| 4 Secondary small generatrix room | 9 Grounded generatrix                       |
| 5 Combined switch room            | 10 cable room                               |



**Contour Sktech of XGN2-10/23T**

- |                                   |   |
|-----------------------------------|---|
| 1 Generatrix room                 | 6 Manual operations and interlock mechanism |
| 2 Pressure release channel        | 7 Main switch room                          |
| 3 Meter room                      | 8 Electromagnetic actuator                  |
| 4 Secondary small generatrix room | 9 Grounded generatrix                       |
| 5 Combined switch room            | 10 cable room                               |